





**Irshmans**

# **Instruction Manual**

**REFRIGERATOR-FREEZER**

**Model: MR 70308**

# CONTENTS

## 1 Safety warnings

1.1Warning	1-2
1.2Meanings of safety warning symbols	3
1.3Electricity related warnings	3
1.4Warnings for using	4
1.5Warnings for placement	4-5
1.6Warnings for energy	5
1.7Warnings for disposal	5

## 2 Proper use of the refrigerator

2.1Placement	6
2.2Installation in cabinet	7-9
2.3Door right-left change	10-12
2.4Changing the Light	13
2.5Starting	13
2.6Energy saving tips	13

## 3 Structure and functions

3.1Key components	14
3.2Functions	15-16

## 4 Maintenance and care of the refrigerator

4.1Overall cleaning	17
4.2Defrosting	17
4.3Out of operation	17

## 5 Trouble shooting

5.1Trouble shooting	18
---------------------	----

# 1 Safety Warnings

## 1.1 WARNING



**Warning:** risk of fire / flammable materials

**THIS** appliance is intended to be used in household and similar applications such as staff kitchen areas in shops, offices and other working environments; farm houses and by clients in hotels, motels and other residential type environments; bed and breakfast type environments; catering and similar non-retail applications.

**THIS** appliance is not intended for use by persons (including children) with reduced physical, sensory or mental capabilities, or lack of experience and knowledge, unless they have been given supervision or instruction concerning use of the appliance by a person responsible for their safety.)

**CHILDREN** should be supervised to ensure that they do not play with the appliance.

If the supply cord is damaged, it must be replaced by the manufacturer, its service agent or similarly qualified persons in order to avoid a hazard.

**DO** not store explosive substances such as aerosol cans with a flammable propellant in this appliance.

**THE** appliance has to be unplugged after use and before carrying out user maintenance on the appliance.

**WARNING:** Keep ventilation openings, in the appliance enclosure or in the built-in structure, clear of obstruction.

**WARNING:** Do not use mechanical devices or other means to accelerate the defrosting process, other than those recommended by the manufacturer.

**WARNING:** Do not damage the refrigerant circuit.

**WARNING:** Do not use electrical appliances inside the food storage compartments of the appliance, unless they are of the type recommended by the manufacturer.

**WARNING:** Please abandon the refrigerator according to local regulators for its use of flammable blowing gas and refrigerant.

**WARNING:** When positioning the appliance, ensure the supply cord is not trapped or damaged.

**WARNING:** Do not locate multiple portable socket-outlets or portable power supplies at the rear of the appliance.

**DO** not use extension cords or ungrounded ( two prong ) adapters.

**WARNING:** Risk of child entrapment. Before you throw away your old refrigerator or freezer:

-Take off the doors.

-Leave the shelves in place so that children may not easily climb inside.

**THE** refrigerator must be disconnected from the source of electrical supply before attempting the installation of accessory.

**REFRIGERANT** and cyclopentane foaming material used for the appliance are flammable. Therefore, when the appliance is scrapped, it shall be kept away from any fire source and be recovered by a special recovering company with corresponding qualification other than be disposed by combustion, so as to prevent damage to the environment or any other harm.

**FOR** EU standard: This appliance can be used by children aged from 8 years and above and persons with reduce physical sensory or mental capabilities or lack of experience and knowledge if they have been given supervision or instruction concerning use of the appliance in a safe way and understand the hazards involved. Children shall not play with the appliance. Cleaning and user maintenance shall not be made by children without supervision. Children aged from 3 to 8 years are allowed to load and unload refrigerating appliances.

**THE** necessity that, for doors or lids fitted with locks and keys, the keys be kept out of the reach of children and not in the vicinity of the refrigerating appliance, in order to prevent children from being locked inside .

**TO** avoid contamination of food, please respect the following instructions:

- Opening the door for long periods can cause a significant increase of the temperature in the compartments of the appliance.
- Clean regularly surfaces that can come in contact with food and accessible drainage systems.
- Clean water tanks if they have not been used for 48 h; flush the water system connected to a water supply if water has not been drawn for 5 days. (note 1)
- Store raw meat and fish in suitable containers in the refrigerator, so that it is not in contact with or drip onto other food.
- Two-star frozen-food compartments are suitable for storing pre-frozen food, storing or making ice-cream and making ice cubes. (note 2)
- One-, two- and three-star compartments are not suitable for the freezing of fresh food. (note 3)
- For appliances without a 4–star compartment: this refrigerating appliance is not suitable for freezing foodstuffs. (note 4)
- If the refrigerating appliance is left empty for long periods, switch off, defrost, clean, dry, and leave the door open to prevent mould developing within the appliance.

Note 1,2,3,4: Please confirm whether it is applicable according to your product compartment type.

**FOR** a freestanding appliance: this refrigerating appliance is not intended to be used as a built-in appliance.

**ANY** replacement or maintenance of the LED lamps is intended to be made by the manufacturer, its service agent or similar qualified person.




This product contains a light source of energy efficiency class (G ).

**WARNING:** To avoid a hazard due to instability of the appliance, it must be fixed in accordance with the instructions.

**WARNING:** Connect to potable water supply only. (Suitable for ice making machine)

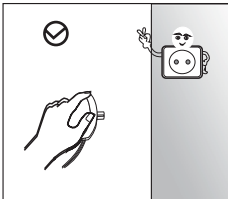
**TO** Prevent A Child From Being Entrapped, Keep Out Of Reach Of Children And Not In The Vicinity Of Freezer (Or Refrigerator). (Suitable for products with locks)

## 1.2 Meaning of safety warning symbols

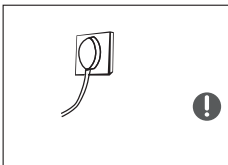
	This is a prohibition symbol. Any in compliance with instructions marked with this symbol may result in damage to the product or endanger the personal safety of the user.
	This is a warning symbol. It is required to operate in strict observance of instructions marked with this symbol; or otherwise damage to the product or personal injury may be caused.
	This is a cautioning symbol. Instructions marked with this symbol require special caution. Insufficient caution may result in slight or moderate injury, or damage to the product.

This manual contains lots of important safety information which shall be observed by the users.

## 1.3 Electricity related warnings



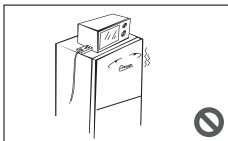
- Do not pull the power cord when pulling the power plug of the refrigerator. Please firmly grasp the plug and pull it out from the socket directly.
- To ensure safe use, do not damage the power cord or use the power cord when it is damaged or worn.



- Please use a dedicated power socket and the power socket shall not be shared with other electrical appliances. The power plug should be firmly contacted with the socket or else fires might be caused.
- Please ensure that the grounding electrode of the power socket is equipped with a reliable grounding line.



- Please turn off the valve of the leaking gas and then open the doors and windows in case of leakage of gas and other flammable gases.
- Do not unplug the refrigerator and other electrical appliances considering that spark may cause a fire.

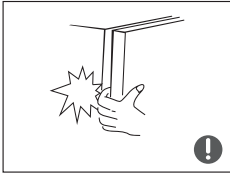


- Do not use electrical appliances on the top of the appliance, unless they are of the type recommended by the manufacturer.

## 1.4 Warnings for using



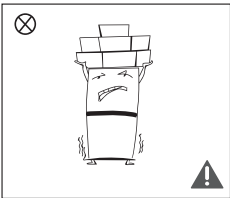
- Do not arbitrarily disassemble or reconstruct the refrigerator, nor damage the refrigerant circuit; maintenance of the appliance must be conducted by a specialist
- Damaged power cord must be replaced by the manufacturer, its maintenance department or related professionals in order to avoid danger.



- The gaps between refrigerator doors and between doors and refrigerator body are small, be noted not to put your hand in these areas to prevent from squeezing the finger. Please be gentle when close the refrigerator door to avoid falling articles.
- Do not pick foods or containers with wet hands in the freezing chamber when the refrigerator is running, especially metal containers in order to avoid frostbite.

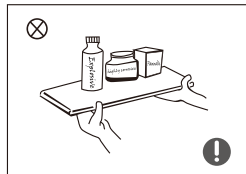


- Do not allow any child to get into or climb the refrigerator; otherwise suffocation or falling injury of the child may be caused.

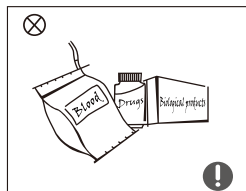


- Do not place heavy objects on the top of the refrigerator considering that objectives may fall when close or open the door, and accidental injuries might be caused.

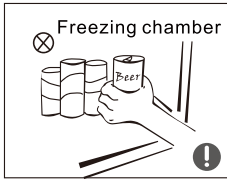
## 1.5 Warnings for placement



- Do not put flammable, explosive, volatile and highly corrosive items in the refrigerator to prevent damages to the product or fire accidents.
- Do not place flammable items near the refrigerator to avoid fires.



- The refrigerator is intended for household use, such as storage of foods; it shall not be used for other purposes, such as storage of blood, drugs or biological products, etc.



- Do not store beer, beverage or other fluid contained in bottles or enclosed containers in the freezing chamber of the refrigerator; or otherwise the bottles or enclosed containers may crack due to freezing to cause damages.

## 1.6 Warning for energy

### Warning for energy

- 1) Refrigerating appliances might not operate consistently (possibility of defrosting of contents or temperature becoming too warm in the frozen food compartment) when sited for an extended period of time below the cold end of the range of temperatures for which the refrigerating appliance is designed.
- 2) The fact that effervescent drinks should not be stored in food freezer compartments or cabinets or in low-temperature compartments or cabinets, and that some products such as water ices should not be consumed too cold;
- 3) The need to not exceed the storage time(s) recommended by the food manufacturers for any kind of food and particularly for commercially quick-frozen food in food-freezer and frozen-food storage compartments or cabinets;
- 4) The precautions necessary to prevent an undue rise in the temperature of the frozen food while defrosting the refrigerating appliance, such as wrapping the frozen food in several layers of newspaper.
- 5) The fact that a rise in temperature of the frozen food during manual defrosting, maintenance or cleaning could shorten the storage life.

## 1.7 Warnings for disposal

Refrigerant and cyclopentane foaming material used for the refrigerator are flammable. Therefore, when the refrigerator is scrapped, it shall be kept away from any fire source and be recovered by a special recovering company with corresponding qualification other than be disposed by combustion, so as to prevent damage to the environment or any other harm.



When the refrigerator is scrapped, disassemble the doors, and remove gasket of door and shelves; put the doors and shelves in a proper place, so as to prevent trapping of any child.



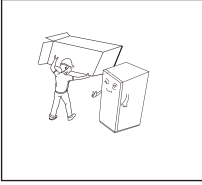
### Correct Disposal of this product:

This marking indicates that this product should not be disposed with other household wastes throughout the EU. To prevent possible harm to the environment or human health from uncontrolled waste disposal, recycle it responsibly to promote the sustainable reuse of material resources. To return your used device, please use the return and collection systems or contact the retailer where the product was purchased. They can take this product for environmental safe recycling.

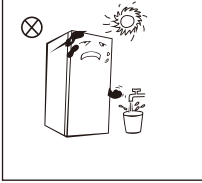


## 2 Proper use of the refrigerator

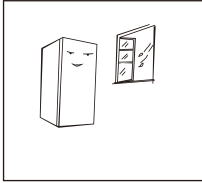
### 2.1 Placement



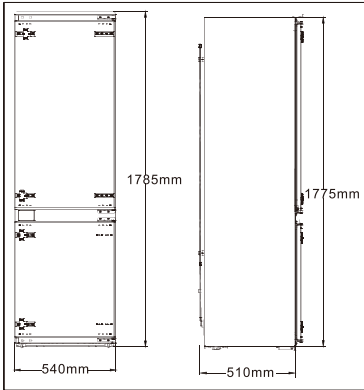
- Before use, remove all packing materials, including bottom cushions, foam pads and tapes inside of the refrigerator; tear off the protective film on the doors and the refrigerator body.



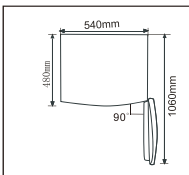
- Keep away from heat and avoid direct sunlight. Do not place the freezer in moist or watery places to prevent rust or reduction of insulating effect.
- Do not spray or wash the refrigerator; do not put the refrigerator in moist places easy to be splashed with water so as not to affect the electrical insulation properties of the refrigerator.



- The refrigerator is placed in a well-ventilated indoor place; the ground shall be flat, and sturdy (rotate left or right to adjust the wheel for leveling if unstable).



- Outer cabinet dimensions, please refer to shown as the left picture



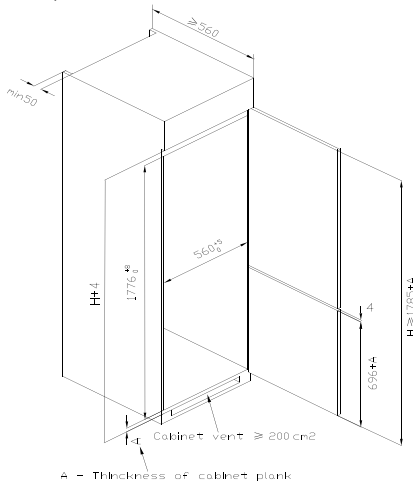
- Spare enough space for convenient opening of the doors and drawers or statement by the distributor.

#### ⓘ Precautions before installation:

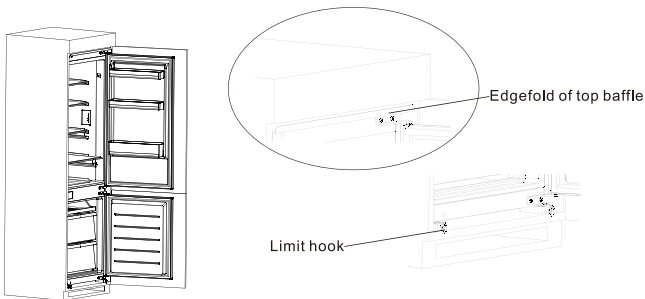
Information in the Instruction Manual is only for reference. The physical product may differ. Before installation and adjusting of accessories, it shall be ensured that the refrigerator is disconnected from power.

## 2.2 Installation in cabinet

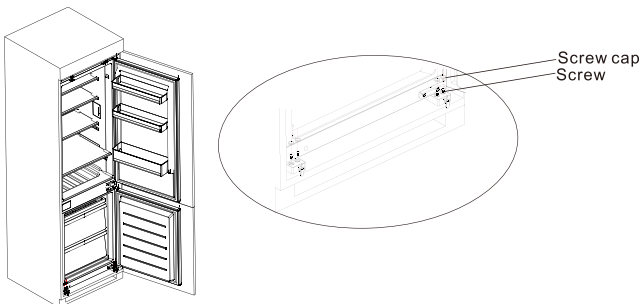
- Cabinet size requirement.



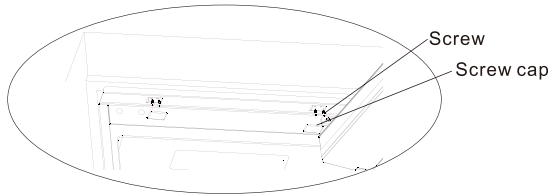
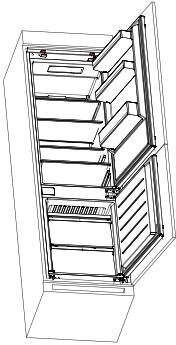
- Push the refrigerator into the cabinet and adjust it to make sure the edge fold of top baffle completely touch the top edge of the cabinet, and the limit hook of supporting leg completely touch the bottom edge of the cabinet.



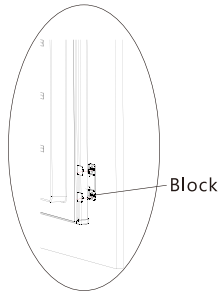
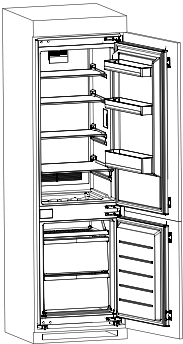
- Fix the supporting leg with screws, then install the screw caps.



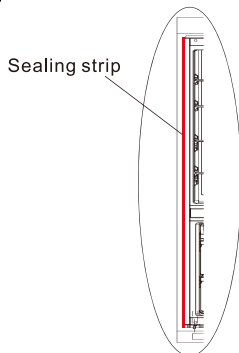
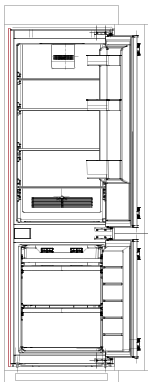
- Fix the top baffle to the top of the cabinet inner with screws, then install the screw caps.



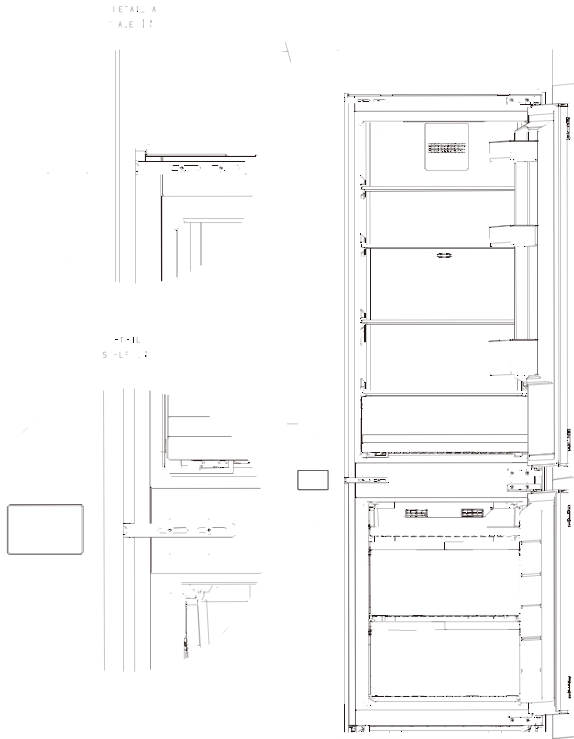
- Open the lower door of cabinet the maximum angle, and open the lower door of the refrigerator to the corresponding position. Sliding the block to make sure inner edge align with the lower door edge of refrigerator, then fix the block to the door of cabinet with screw and install screw caps. Fix the upper refrigerator door to the cabinet door in the same way.



- Take out the sealing strip from accessory bag, and press it in the gap between the cabinet and the refrigerator. Installation is completed.







- Remove the decorative cover on the left side of the beam in the refrigerator and take out the middle beam fixing block, screws and plastic inserts in the attachment. Then insert the plastic inserts into two upper holes of the middle beam and the lower holes, and then fix the middle beam fixing block to two middle holes of the middle beam with screws. When the screw is half tightened, move the fixing block to the cabinet and tighten the screws. Finally, tighten the fixing block on the cabinet with the small screws. The installation is completed. (This item is optional for the middle beam fixing block)

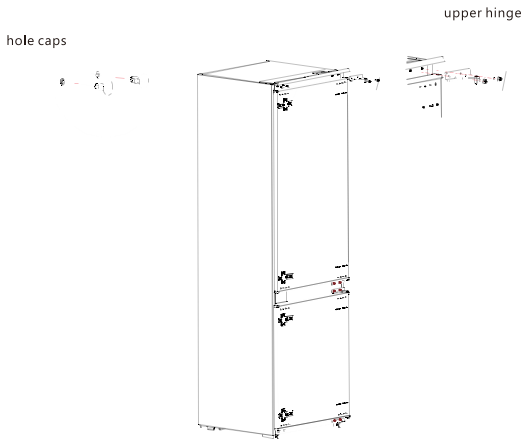


(The picture above is only for reference. The actual configuration will depend on the physical product or statement by the distributor)

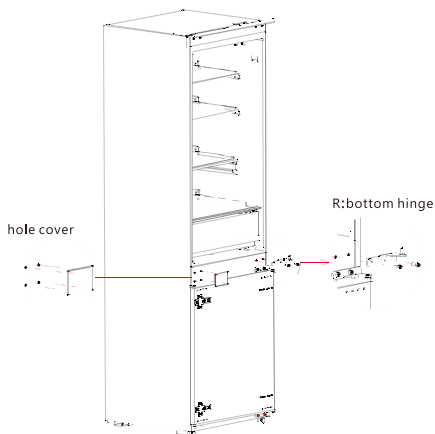
## 2.3 Door Right-Left Change

List of tools to be provided by the user			
	Cross screwdriver		Putty knife thin-blade screwdriver
	5/16" socket and ratchet		Masking tape

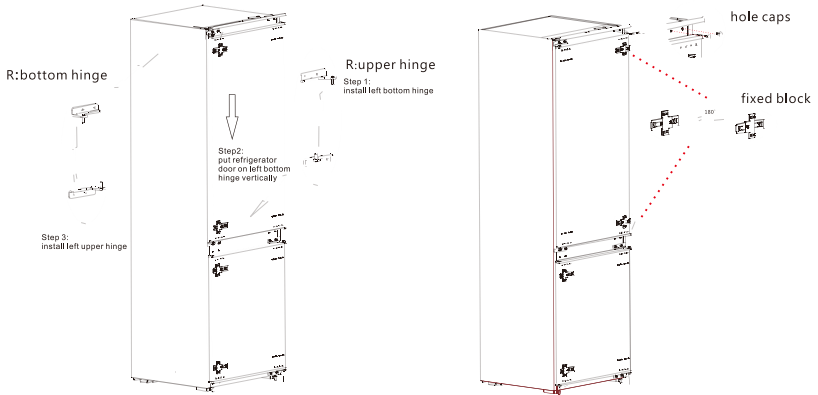
- 1) Power off the refrigerator, and remove all objects from the door trays.
- 2) Remove the upper hinge and hole caps of refrigerator door.



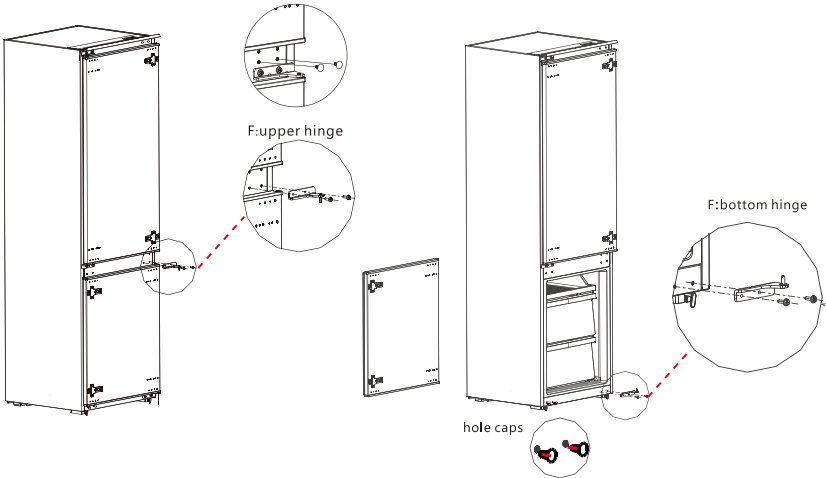
- 3) Remove the refrigerator door, the bottom hinge and the hole cover.



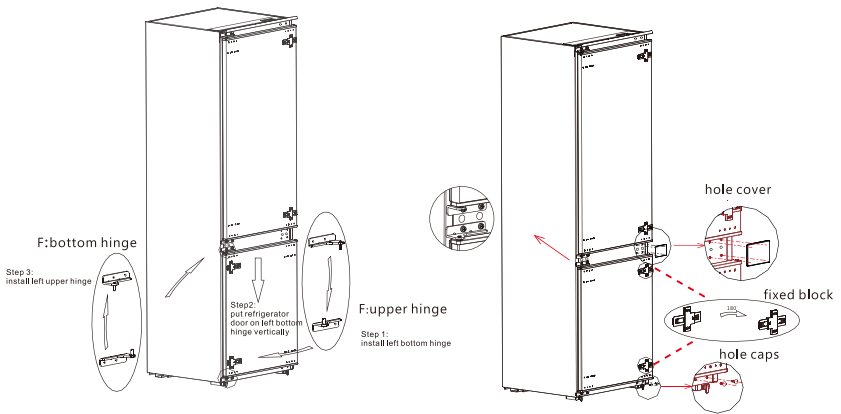
- 4) Exchange the R:bottom hinge and R:upper hinge , then install them according to below steps, and install the top hole caps.
- 5) Remove the two fixed blocks of refrigerator door and rotate them for 180° , and install them on other side of refrigerator door.



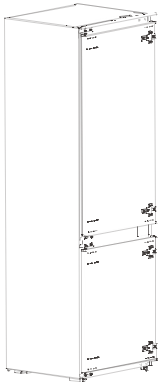
- 6) Remove the the upper hinge of freezer door and plug pin.
- 7) Remove the freezer door, the bottom hinge and the hole caps.



- 8) Exchange the F:bottom hinge and F:upper hinge , then install them according to below steps, and install the top hole cover and lower hole caps.
- 9) Remove the two fixed blocks of freezer door and rotate them for 180° , and install them on other side of freezer door.

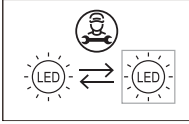


10) The picture after completion is shown as below



(The picture above is only for reference. The actual configuration will depend on the physical product or statement by the distributor)

## 2.4 Changing the Light

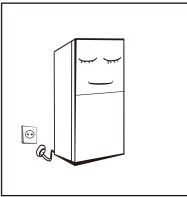


- Any replacement or maintenance of the LED lamps is intended to be made by the manufacturer, its service agent or similar qualified person.

Light source in this product is replaceable only by qualified engineers.

<p>①</p>	<p>1. Please take out the plug before removal.</p>	<p>②</p>	<p>2. Remove the lampshade with a screwdriver.</p>
<p>③</p>	<p>3. Take down the lamp panel.</p>	<p>④</p>	<p>4. Remove the connection terminal.</p>

## 2.5 Starting



- After transportation, please let the product stay for more than 2 hours before turning on the power, otherwise it will lead to a decrease in cooling capacity or a damage to the product.
- Before putting any fresh or frozen foods, the refrigerator shall have run for 2-3 hours, or for above 4 hours in summer when the ambient temperature is high.
- Please pull out the plug in case of power failure or cleaning. Do not connect the freezer to power supply within five minutes to prevent damages to the compressor due to successive starts.

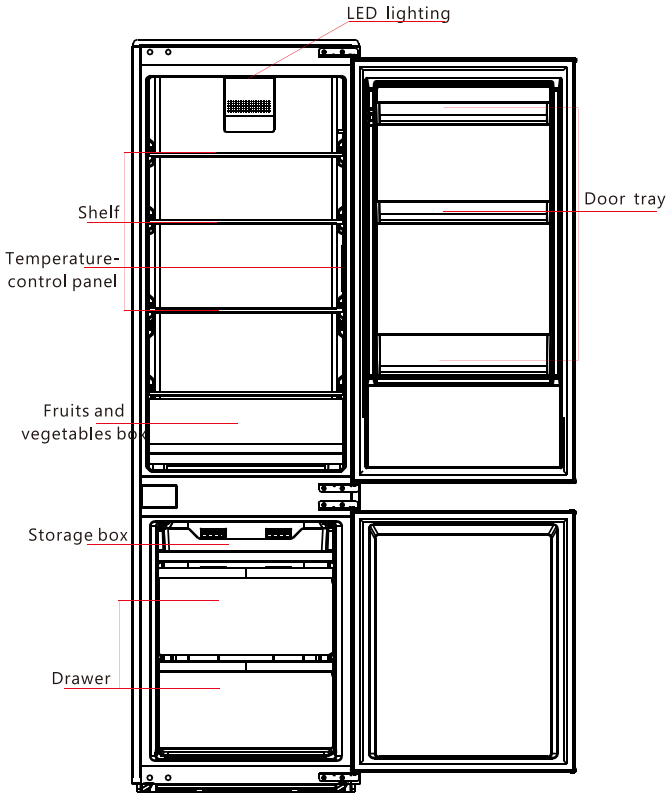
## 2.6 Energy saving tips

- The appliance should be located in the coolest area of the room, away from heat producing appliances or heating ducts, and out of the direct sunlight.
- Let hot foods cool to room temperature before placing in the appliance. Overloading the appliance forces the compressor to run longer. Foods that freeze too slowly may lose quality, or spoil.
- Be sure to wrap foods properly, and wipe containers dry before placing them in the appliance. This cuts down on frost build-up inside the appliance.
- Appliance storage bin should not be lined with aluminum foil, wax paper, or paper toweling. Liners interfere with cold air circulation, making the appliance less efficient.
- Organize and label food to reduce door openings and extended searches. Remove as many items as needed at one time, and close the door as soon as possible.



## 3 Structure and functions

### 3.1 Key components



**!** (The picture above is only for reference. The actual configuration will depend on the physical product or statement by the distributor)

#### Refrigerating chamber

- The Refrigerating Chamber is suitable for storage of a variety of fruits, vegetables, beverages and other food consumed in the short term, **suggested storage time 3days to 5days**.
- Cooking foods shall not be put in the refrigerating chamber until cooled to room temperature.
- Foods are recommended to be sealed up before putting into the refrigerator.
- The glass shelves can be adjusted up or down for a reasonable amount of storage space and easy use.

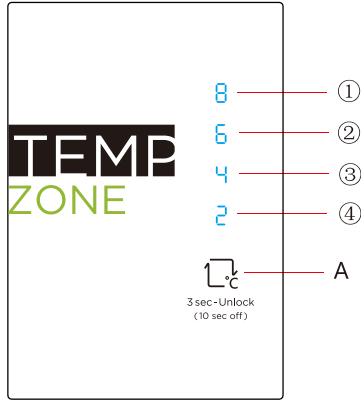
#### Freezing chamber

- The low temperature freezing chamber may keep food fresh for a long time and it is mainly used to store frozen foods and making ice.
- The freezing chamber is suitable for storage of meat, fish, rice balls and other foods not to be consumed in short term.
- Chunks of meat are preferably to be divided into small pieces for quick freezing and easy access. Please be noted food shall be consumed within the shelf time.

**Drawers, food boxes, shelves, etc. placed according to the position in the picture above are the most energy efficient.**

Note: Storage of too much food during operation after the initial connection to power may adversely affect the freezing effect of the refrigerator. Foods stored shall not block the air outlet; or otherwise the freezing effect will also be adversely affected.

### 3.2 Functions



**⚠** (The picture above is only for reference. The actual configuration will depend on the physical product or statement by the distributor)

#### 1) Key

A. Set key (Temperature setting button of refrigerator compartment)

#### 2) Display screen

- ① setting 1: 8°C
- ② setting 2: 6°C
- ③ setting 3: 4°C
- ④ setting 4: 2°C

#### 3) Display

Once initially powered on, the display screen is on full display for 3s. and then the refrigerator runs according to setting 3.

Normal operation display

In case of a failure, the corresponding LED blinks.

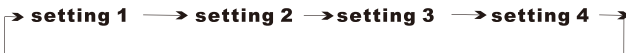
In case of no failures, it shows the actual temperature setting of refrigerator.

Fault Code	Fault Description
indicator setting 1	Refrigerator temperature sensor circuit
indicator setting 2	Refrigerator defrost sensor
indicator setting 3	Freezer defrost sensor
indicator setting 4	Ambient temperature sensor

#### 4) temperature setting

Each time the temperature setting button A is pressed once, the temperature setting changes one time. After the temperature setting has been completed, the refrigerator will run according to the set value after 30s.

The shift regulation is:



Recommended setting: Refrigerated chamber 4 °C.

Super Freezing mode: press the button A for 3s, then super freezing mode is on.

When press the button again, this mode will be quit. If no pushing in super freezing mode, it will be quit automatically in 20h.

#### 5) Lock/Unlock

When the temperature control panel is in lock state, it needs to long press temperature setting key for 3 seconds for unlocking the panel, all LEDs will blink for 2 second when panel is unlocked.

When the temperature control panel is in unlock state, if there is no operation on control panel within 30 seconds, it will enter into lock state automatically.

## 6) Power off function

### ① entry mode:

In the unlocking state, set the key SET for 10S (when the display and control of the refrigerator are all off, the SET button will take effect when the key is released). After 30S, the refrigerator will enter the power off function mode, all loads are turned off, and the display and control of the refrigerator will be all off in the power off mode.

### ② exit method:

In power off mode, press the SET key to exit the power off mode and the refrigerator will return to normal control.

**Note:** The quick-freezing function is designed to maintain the nutritional value of the food in the freezer. It can freeze the food in the shortest time. If a large amount of food is frozen at one time, it is recommended that the user turn on the quick-freezing function and put the food in. At this time, the freezing speed of the freezer compartment is increased, which can quickly freeze the food, effectively lock the nutrition of the food, and facilitate storage.

## 4 Maintenance and care of the refrigerator

### 4.1 Overall cleaning

- Dusts behind the refrigerator and on the ground shall be timely cleaned to improve the cooling effect and energy saving.
- Check the door gasket regularly to make sure there are no debris. Clean the door gasket with a soft cloth dampened with soapy water or diluted detergent.
- The interior of the refrigerator should be cleaned regularly to avoid odor.
- Please turn off the power before cleaning interior, remove all foods, drinks, shelves, drawers, etc.
- Use a soft cloth or sponge to clean the inside of the refrigerator, with two tablespoons of baking soda and a quart of warm water. Then rinse with water and wipe clean. After cleaning, open the door and let it dry naturally before turning on the power.
- For areas that are difficult to clean in the refrigerator (such as narrow sandwiches, gaps or corners), it is recommended to wipe them regularly with a soft rag, soft brush, etc. and when necessary, combined with some auxiliary tools (such as thin sticks) to ensure no contaminants or bacterials accumulation in these areas.
- Do not use soap, detergent, scrub powder, spray cleaner, etc., as these may cause odors in the interior of the refrigerator or contaminated food.
- Clean the bottle frame, shelves and drawers with a soft cloth dampened with soapy water or diluted detergent. Dry with a soft cloth or dry naturally.
- Wipe the outer surface of the refrigerator with a soft cloth dampened with soapy water, detergent, etc., and then wipe dry.
- Do not use hard brushes, clean steel balls, wire brushes, abrasives (such as toothpastes), organic solvents (such as alcohol, acetone, banana oil, etc.), boiling water, acid or alkaline items, which may damage the fridge surface and interior. Boiling water and organic solvents such as benzene may deform or damage plastic parts.
- Do not rinse directly with water or other liquids during cleaning to avoid short circuits or affect electrical insulation after immersion.




 Please unplug the refrigerator for defrost and cleaning.

### 4.2 Defrosting

- The refrigerator is made based on the air-cooling principle and thus has automatic defrosting function. Frost formed due to change of season or temperature may also be manually removed by disconnection of the appliance from power supply or by wiping with a dry towel.

### 4.3 Out of operation

- Power failure: In case of power failure, even if it is in summer, foods inside the appliance can be kept for several hours; during the power failure, the times of door opening shall be reduced, and no more fresh food shall be put into the appliance.
- Long-time nonuse: The appliance shall be unplugged and then cleaned; then the doors are left open to prevent odor.
- Moving: Before the refrigerator is moved, take all objects inside out, fix the glass partitions, vegetable holder, freezing chamber drawers and etc. with tape, and tighten the leveling feet; close the doors and seal them with tape. During moving, the appliance shall not be laid upside down or horizontally, or be vibrated; the inclination during movement shall be no more than 45°.

 The appliance shall run continuously once it is started. Generally, the operation of the appliance shall not be interrupted; or otherwise the service life may be impaired

## 5 Trouble shooting

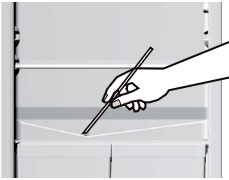
5. 1 You may try to solve the following simple problems by yourself.  
If them cannot be solved, please contact the after-sales department.

Failed operation	<p>Check whether the appliance is connected to power or whether the plug is in well contact</p> <p>Check whether the voltage is too low</p> <p>Check whether there is a power failure or partial circuits have tripped</p>
Odor	<p>Odorous foods shall be tightly wrapped</p> <p>Check whether there is any rotten food</p> <p>Clean the inside of the refrigerator</p>
Long-time operation of the compressor	<p>Long operation of the refrigerator is normal in summer when the ambient temperature is high</p> <p>It is not suggestible having too much food in the appliance at the same time</p> <p>Food shall get cool before being put into the appliance</p> <p>The doors are opened too frequently</p>
Light fails to get lit	<p>Check whether the refrigerator is connected to power supply and whether the illuminating light is damaged</p> <p>Have the light replaced by a specialist</p>
Doors cannot be properly closed	<p>The door is stuck by food packages</p> <p>The refrigerator is tilted</p>
Loud noise	<p>Check whether the floor is level and whether the refrigerator is placed stably</p> <p>Check whether accessories are placed at proper locations</p>
Door seal fails to be tight	<p>Remove foreign matters on the door seal</p> <p>Heat the door seal and then cool it for restoration (or blow it with an electrical drier or use a hot towel for heating)</p>
Water pan overflows	<p>There is too much food in the chamber or food stored contains too much water, resulting in heavy defrosting</p> <p>The doors are not closed properly, resulting in frosting due to entry of air and increased water due to defrosting</p>
Hot housing	<p>Heat dissipation of the built-in condenser via the housing, which is normal. When housing becomes hot due to high ambient temperature and storage of too much food, it is recommended to provide sound ventilation to facilitate heat dissipation.</p>
Surface condensation	<p>Condensation on the exterior surface and door seals of the refrigerator is normal when the ambient humidity is too high. Just wipe the condensate with a clean towel.</p>
Abnormal noise	<p>Buzz: The compressor may produce buzzes during operation, and the buzzes are loud particularly upon start or stop. This is normal.</p> <p>Creak: Refrigerant flowing inside of the appliance may produce creak, which is normal.</p>

תקלה	פתרון
המכשיר לא פועל לאחר חיבור לרשת החשמל	וודאו שקיימת אספקת חשמל סדירה ושהמכשיר דלוק
מערכת הקירור פועלת ללא הפסקה	טמפ' סביבה גבוהה מדי. פתיחת דלת בתדירות גבוהה. דלת שנשארה פתוחה. כמות מצרכים גדולה שהוכנסה בפעם אחת. פתח פליטת האוויר נחסם ויש צורך לוודא שהמצרכים אינם חוסמים אותו. וודאו שקיים אוורר מספק למדחס וניקיון רשת המעבה בדופן האחורית של המכשיר.
הצטברות קרח גדולה בדופן תא ההקפאה	פתיחה של הדלת בתדירות גבוהה. טעינת מצרכים חמים בתא ההקפאה. מצרכים או כלים נוגעים בדופן האחורית של תא הקירור. גומית דלת פגומה ויש צורך להחליפה.
נזילה מהמכשיר	פתח ניקוז הנוזלים נסתם. נקו את פתח הניקוז בעזרת קשית. בזמן ההפשרה, הסירו ידנית חתיכות קרח גדולות.
קושי בפתיחת הדלת	קושי בפתיחת דלת המקפיא נגרם כתוצאה מאוויר קר שנפלט החוצה ומתחלף באוויר חם. קירור האוויר החם גורם ללחץ וואקום המונע פתיחה קלה של הדלת. התופעה תקינה ולאחר 5 דקות תתאפשר פתיחה קלה של הדלת.
החלפת הנורה	לפני החלפת הנורה, נתקו את המכשיר מרשת החשמל ע"י ניתוק התקע משקע החשמל. פרקו את המכסה ושלפו אותו החוצה. החליפו את הנורה בחדשה תואמת בנתונים הטכניים וחברו את המכסה חזרה. הקפידו להשליך את המנורה הפגומה באתר מחזור מתאים. המנורה היא מוצר מתכלה ואינה מכוסה באחריות. סוג המנורה מותאם במיוחד לשימוש עם המכשיר הנ"ל ואינו מתאים לשימוש בתאורה ביתית.

- לפני ביצוע תהליך הניקוי, נתקו את המכשיר מרשת החשמל ע"י הוצאת התקע משקע החשמל.

- הקפידו בסיום התהליך לוודא שלא נשארו שאריות חומרי ניקוי בתא הקירור וההקפאה.

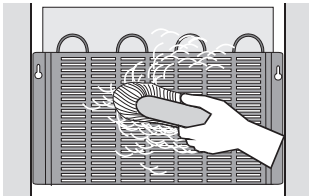


- נקו את המעטפת החיצונית עם מטלית רכה וסבון כלים.

- אין להשתמש בחומרים ממיסים כימיים העלולים לפגום ברכיבי הפלסטיות והמתכת.

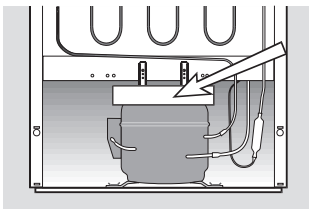
- השתמשו בחומרים מבוססים אלכוהול ומטלית רכה לניקוי משטחי אלומיניום.

- נקו את תא האחסנה, מדפים ומגירות עם מטלית רכה וסבון כלים, הם אינם מיועדים לשטיפה במדיח הכלים.



- חריץ ופתח ניקוז הממוקמים בתחתית תא הקירור בדופן האחורית משמשים לניקוז הנוזלים, וודאו שהם אינם חסומים משאריות אוכל וכו. נקו אותם בעזרת קשית במידת הצורך.

- נקו בנוסף גם את תבנית ניקוז הנוזלים הממוקמת מעל המדחס. שלפו אותה והחזירו באותה צורה שהוצבה.



- במקרים מסויימים עלול הצטבר מעט קרח בתא ההקפאה והדבר עלול לגרום לעליה בצריכת האנרגיה, לכן חשוב לבצע הפשרה. ראו הסבר בפרק "הפשרה". אין להשתמש בכלים חדים, מכשירים חשמליים או חומרים להאצת תהליך ההפשרה.

- תהליך ההפשרה במקררים מסוג ללא כפור NO FROST הוא אוטומטי לחלוטין. לעיתים רחוקות יופיע מעט הצטברות קרח בדפנות תא ההקפאה.
- הצטברות קרח היא סימן לשימוש לא תקין במוצר, למשל דלת שנפתחת לעיתים קרובות מדי או שנשארה פתוחה למשך זמן. במקרה הזה, נתקו את המכשיר מרשת החשמל, הסירו את המצרכים ושמרו במקום קריר כדי למנוע הפשרה שלהם.
- המתינו להפשרה טבעית של הקרח, נקו ויבשו לאחר מכן עם מטלית יבשה. בסיום הפעולה, חברו את המכשיר לרשת החשמל והמתינו במשך כמה דקות לפני טעינת המצרכים.
- אזהרה! סכנת התחשמלות! אסור להשתמש במכשירים חשמליים כמו מייבש שיער ואחרים על מנת להאיץ את תהליך ההפשרה.
- אין להשתמש בתרסיסים מיוחדים להאצת תהליך ההפשרה העלולים לגרום לנזק בריאותי ולמכשיר.
- אין להשתמש בכלים חדים לניקוי הקרח, הדבק עלול לגרום לנזק בדפנות המכשיר ולפגיעה במערכת הקירור.



- אחסנו רק מצרכים המתאימים לתנאי הקפאה ובמצב איכותי וטרי.
- וודאו שהאריזות שלמות וללא אוויר, כדי לשמור על הטריות ולמנוע טפטוף נזלים.
- סמנו פרטים על גבי האריזות, כגון: סוג המצרך, כמות ותאריך אריזה.
- נתוני משך האחסנה וטמפ' מומלצות למצרכים מסחריים מופיעים על גבי האריזה שלהם. בזמן הרכישה וודאו שאריזת המצרכים במצב תקין, כוללת את כל הנתונים ואוחסנה בהקפאה של לפחות 18C- מעלות צלזיוס. אחסנה בטמפ' גבוהה משפיעה על יכולת משך האחסנה ואיכות המצרכים.
- המלצה למשך אחסנת המצרכים בתא ההקפאה

מצרך	תקופת אחסנה
פירות, בקר	בין 10 ל12 חודשים
ירקות, עוף	בין 8 ל10 חודשים
לחם, מאפים, קינוחים, דגים	3 חודשים

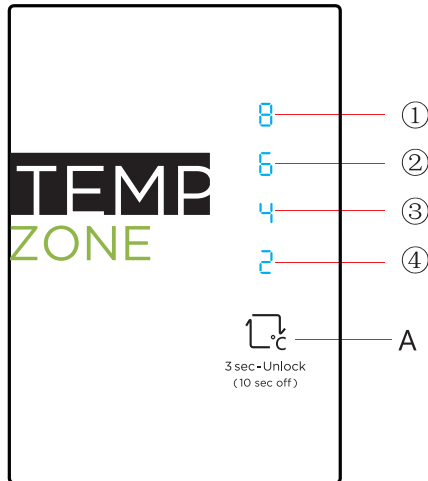
- מצרכים שהוקפאו מעט או כאלו שהופשרו, יש לצרוך במידית. אוויר קר שומר על המצרכים אבל אינו מונע מחיידקים להתפתח בקצב מוגבר מרגע ההפשרה.

## אחסנת מצרכים בתא הקירור

- צורת האחסנה והאריזת, טמפ' והיגיינה משפיעים מאוד על איכות המצרכים בתאי האחסון.
- שימו לב תמיד על תאריכי הייצור והתוקף.
- מצרכים בתא הקירור יש לארוז היטב כדי למנוע התנדפות של לחות וריחות.
- אסור לאחסן מוצרים מתלקחים, נדיפים או נפיצים.
- בקבוקים המכילים אלכוהול יש לסגור היטב ולהציב בצורה אופקית.
- מצרכים חומציים כמו פרי הדר, שמנים וחמאה עלולים לגרום לנזק לחלקי הפלסטיק והגומיות אם באים איתם במגע.
- ריחות לא נעימים בתא הקירור זה סימן למצרך שהתקלקל או שיש צורך לבצע ניקוי תא האחסנה (ראו פרק ניקוי).
- במידה ונעדרתם מהבית לתקופה, הסירו את המצרכים העדינים שעלולים להתקלקל מהר יותר.

המלצה למשך אחסנת המצרכים בתא הקירור

מצרך	תקופת אחסנה
ביצים, מרינדות, נקניקים	עד ל 10 ימים
גבינות	עד ל 10 ימים
גזרים וירקות	עד ל 8 ימים
חמאה	עד ל 7 ימים
עוגה, פירות, קינוחים	עד ליומיים
דגים, בשר טרי	עד ליממה



\* האיור הבא משמש לצורך המחשה בלבד. יתכנו שינויים הקיימים במוצר בפועל.

A - לחצן הגדרת טמפרטורה לתא הקירור. כל לחיצה משנה בין ההגדרות ותקבע לאחר 15 שניות.

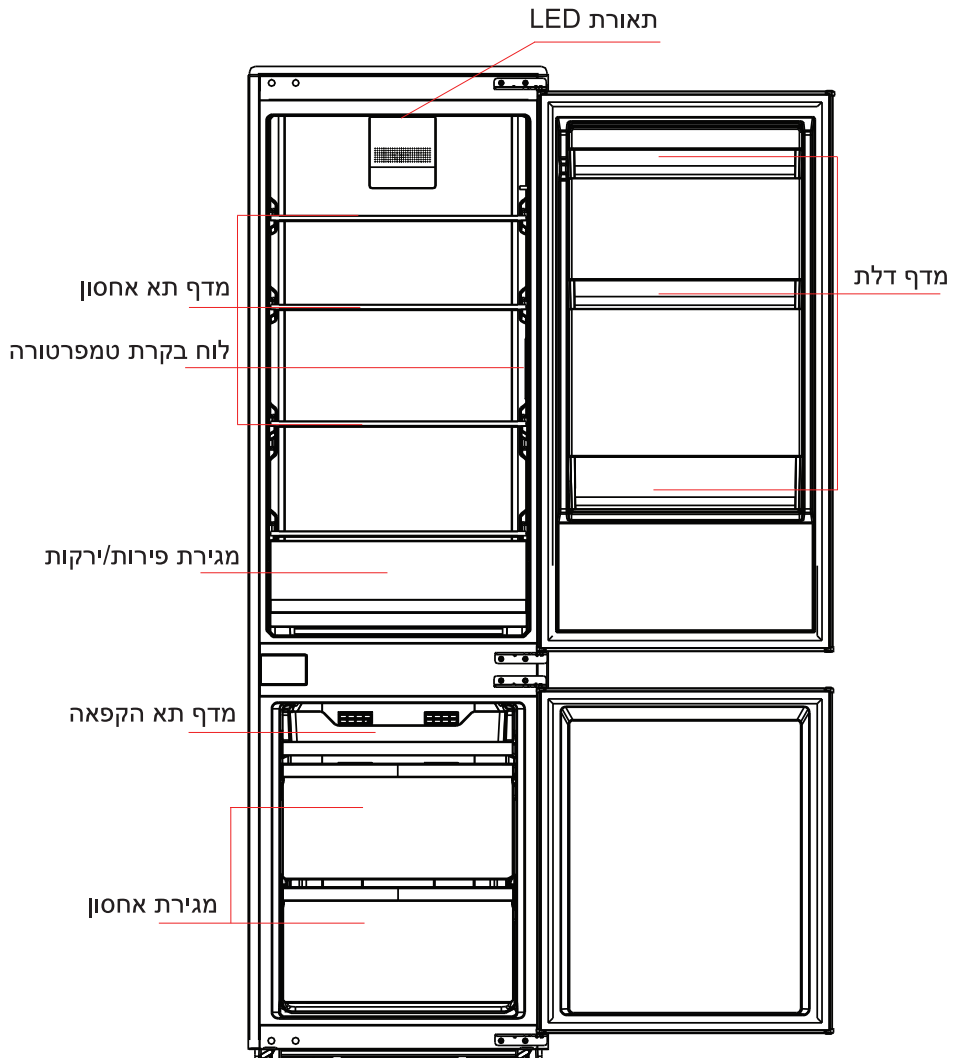
- הגדרה 1 של 8°C
- הגדרה 2 של 6°C
- הגדרה 3 של 4°C
- הגדרה 4 של 2°C

בהפעלה ראשונית ידלקו כל המחווונים בצג למשך 3 שניות ואח"כ יופעל המכשיר בהגדרה 3 (ברירת מחדל).

במקרה של תקלה תהבהב הספרה על הצג לפי הטבלה הבאה:

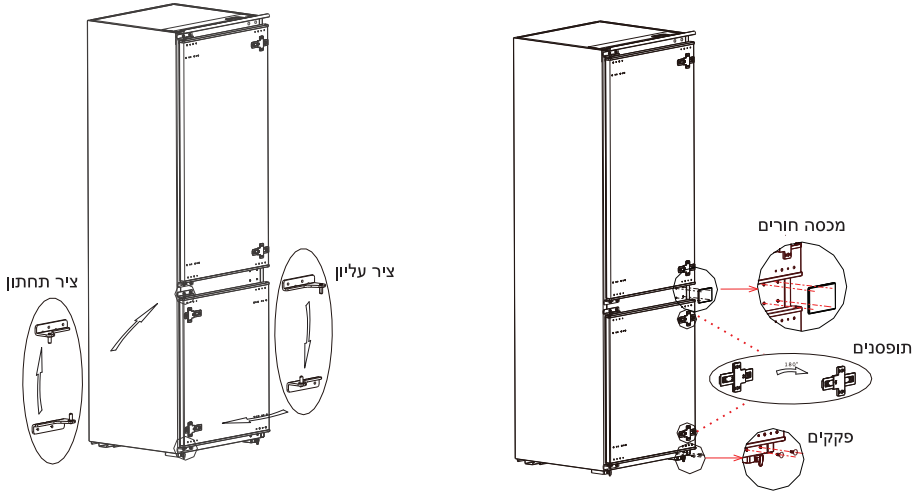
תאור תקלה	הבהוב ספרה על הצג
לוח חיישן הטמפרטורה	הגדרה 1
חיישן הפשרה תא קירור	הגדרה 2
חיישן הפשרה תא הקפאה	הגדרה 3
חיישן טמפרטורה סביבה	הגדרה 4

בהעדר לחיצה על הצג למשך 15 שניות הוא ינעל באופן אוטומטי, לשחרור מנעילה יש ללחוץ לחיצה ארוכה על לחצן A למשך 3 שניות (כל המחווונים יהבהבו על הצג).

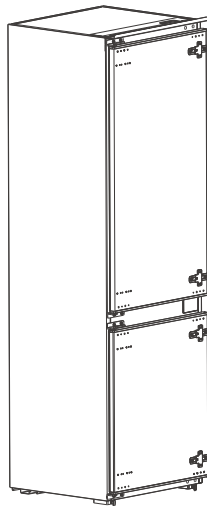


שלב 6

מקמו את הצירים בדופן השמאלית בצורה הפוכה באותו תהליך המפורט לעיל (דלת תא הקירור). שני תוספנים הממוקמים בחלק השמאלי יש לסובב 180 מעלות ולהבריג בחלק הימני.

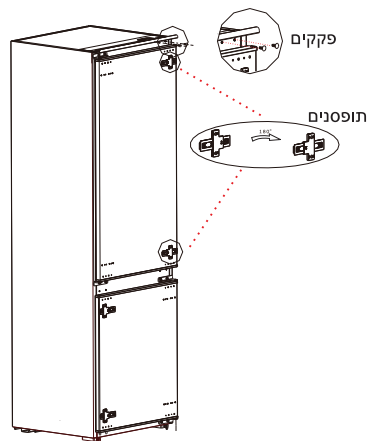
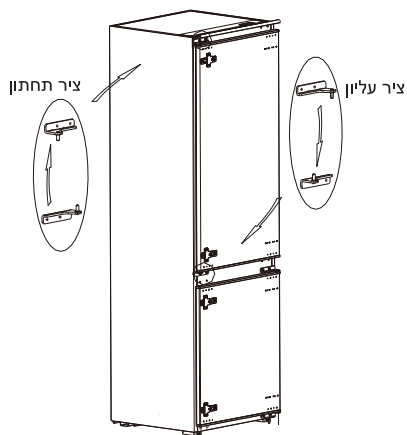


האיור הבא ממחיש כיצד יראה המקרר בסיום התהליך.



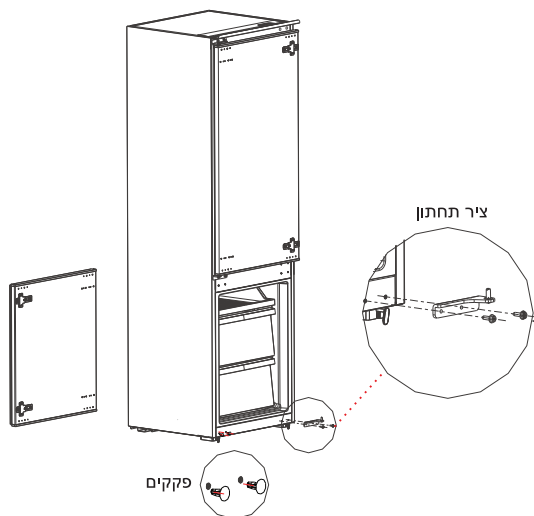
## שינוי כיוון פתיחת דלת

שלב 3 - מקמו את הצירים בדופן השמאלית בצורה הפוכה לפי הפרטים הבאים:  
את הציר העליון סובבו 180 מעלות ומקמו בחלק השמאלי התחתון.  
את הציר התחתון סובבו 180 מעלות ומקמו בחלק השמאלי העליון.  
שני תוספנים הממוקמים בחלק השמאלי יש לסובב 180 מעלות ולהבריג בחלק הימני.



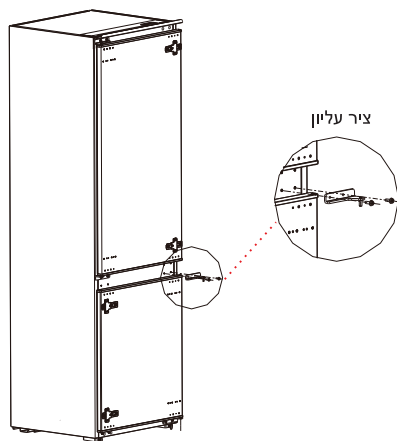
שלב 5

הסירו את דלת המקפיא, הפקקים והציר התחתון.



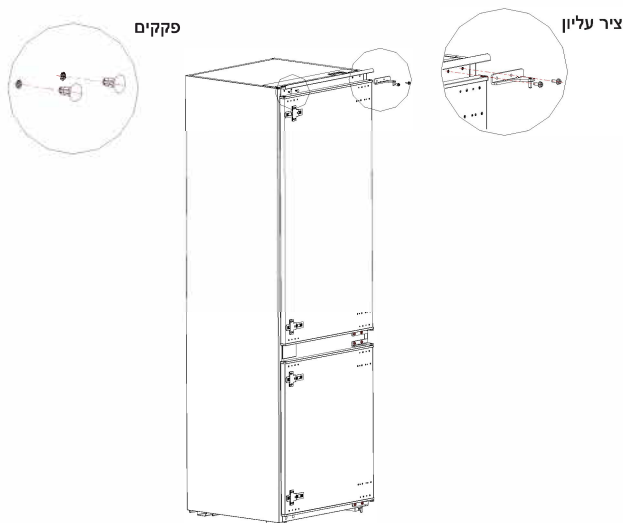
שלב 4

הסירו את הציר העליון של דלת המקפיא.

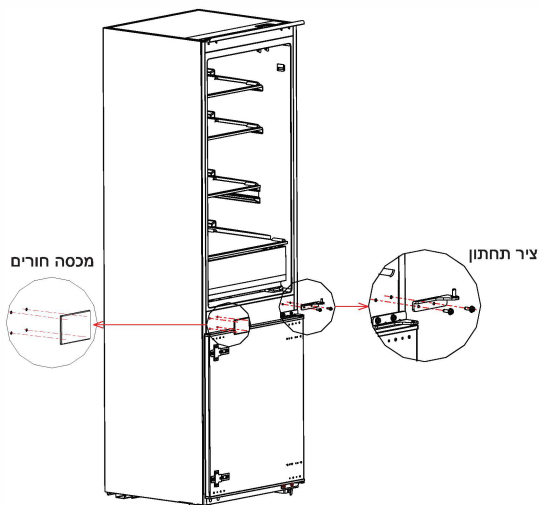


לפני ביצוע התהליך, כבו את המקרר ע"י ניתוק מרשת החשמל והסרה של מצרכים מדלת תא הקירור.

שלב 1 - הסירו את הפקקים והציר העליון.



שלב 2 - הסירו את דלת תא הקירור, מכסה החורים והציר התחתון.



- הסירו את כל חומרי האריזה מחוץ ובפנים המכשיר לפני התקנתו.
- הקפידו לשנע ולהציב את מכשיר בעזרת שני אנשים, כדי למנוע פציעות או נזק למכשיר.
- הציבו את המכשיר במקום יבש ומאוורר היטב. טמפ' הסביבה האידיאלית להפעלת המכשיר היא בטווח של +16 עד +43 מעלות צלזיוס.
- הציבו את המכשיר על משטח מוצק ומפולס. כווננו את הרגליות בהתאם כדי לפלס את המכשיר.
- המנעו מחשיפה לקרני שמש ישירה, מקור חום אחר, גשם או לחות.
- חברו את התקע לשקע החשמל. חובה לחבר לשקע מוארק בהארקה תקינה. וודאו שנתוני החשמל ברשת תואמים לנתונים המופיעים בתווית המוצר. החיבור לרשת החשמל חייב להתבצע לפי התקנים.
- המכשיר מיועד להתקנה מובנית בארון. שמרו על מרווחים בדפנות המכשיר והקפידו על מידות ההתקנה באיור הבא. לאחר ההתקנה חשוב לאפשר גישה נוחה לניתוק תקע החשמל.
- שמרו על מרווח בקרבת המכשיר לפי האיור הבא כדי לאפשר פתיחת הדלת ללא הפרעה.

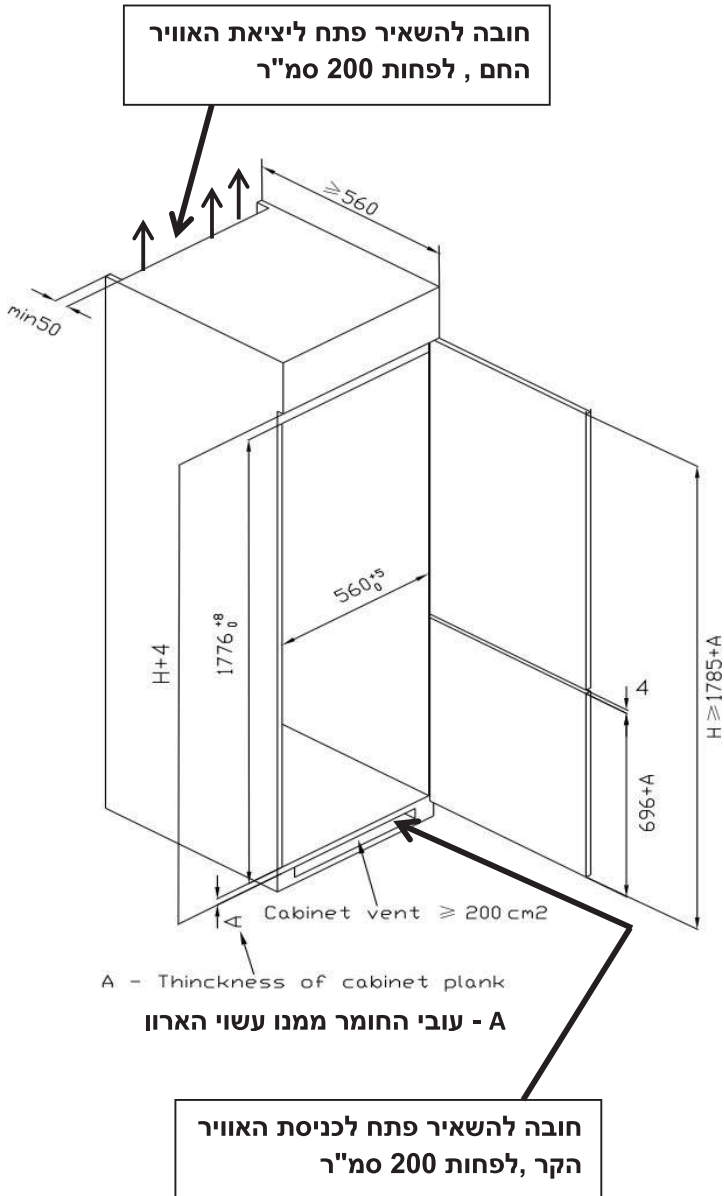
## **חובה !!! לדאוג לפתחי אוורור בארון לפני ההתקנה.**

**התקנה ללא פתחי אוורור בארון כמפורט בחוברת זו תגרום לנזק למקרר ומבטלת את האחריות למוצר.**

יש להשאיר 50 מ"מ מרחק בין המדף עליו מונח המקרר ובין הקיר, וכזה מרחק גם בין המדף העליון ובין הקיר. בסוקל הקדמי יש להשאיר חלל או תריס בשטח של 200 סמ"ר לצורך כניסת אוויר קר. ללא סירקולציה של אוויר קר שיכנס מלמטה, ושל אוויר חם שישתחרר כלפי מעלה המקרר לא יפעל כהלכה.



**מידות הארון והכנת איורור**



## אזהרות בטיחות

המכשיר מיועד לאחסון מצרכי מזון בלבד. אין לאחסן מוצרים אחרים.

אין להשתמש בכלים חדים להסרת קרח מתא ההקפאה, כלים אלו עלולים לפגום במעגלי הקירור ולגרום לנזק בלתי הפיך. פעלו לפי הוראות ההפשה והשתמשו במגרדת פלסטיק ייעודית.

מגע עם ידיים רטובות במשטחי הקירור וההקפאה עלול לגרום לכוויות.

אין לאכול קרח מיד עם הוצאתו מתא ההקפאה.

יש להסיר ספוגים בדפנות המכשיר (במידה וקיים) ולהחליפם בפקקי פלסטיק.

במידה שהמקרר מכיל גז R600a במערכת הקירור. הגז הוא ידידותי מאוד לסביבה אך גם דליק. כאשר היחידה מובלת ומותקנת, יש לוודא היטב כי אף חלק של המקרר ומעגליו לא ניזוקו. במקרה של נזק, יש להימנע מכל להבה או מקור הצתה ויש לאוורר את החדר בו מותקנת היחידה מספר דקות.

סימן זה מציין שאין להשליך מוצר זה עם פסולת ביתי אחרת. כדי למנוע נזק אפשרי לסביבה מהשלכת פסולת לא מבוקרת, מחזרו אותה באחריות כדי לקדם שימוש חוזר אפשרי. כדי להחזיר את המכשיר המשומש שלכם, אנא השתמשו באתרי מיחזור או צרו קשר עם המוקד העירוני.



## טיפים לאחסון בחשמל

המנעו מפתיחה של הדלת בתדירות גבוהה. שמרו על מרווחי אוורור מספקים בדפנות המכשיר. שמרו באופן קבוע על ניקיון המדחס הממוקם בדופן האחורית. גומית אטימת דלת יש להחליף בהקדם האפשרי. אחסנו מצרכים שאינם חמים ובמיכלים סגורים. הפשירו מצרכים קפואים ע"י הצבתם בתא הקירור. ניתן להגדיל את הנפח בתא ההקפאה ע"י הסרת מגירות האחסון. בצעו הפשה של המקפיא רק לאחר שהצטבר קרח בעובי 3-5 מ"מ. סדרו את המצרכים באופן שווה כדי לאפשר פיזור אוויר אופטימלי. המנעו מחסימה של המאוורר בתא הקירור (במידה וקיים).

יש לקרוא את כל הוראות הבטיחות לפני הפעלת המכשיר ולשמור עליהן לשימוש עתידי.

מכשיר זה אינו מיועד לשימוש על ידי אנשים (כולל ילדים) מוגבלים גופנית או נפשית או חסרי ניסיון או ידע מתאים, אלא תחת פיקוח מתאים.

מכשיר זה נועד לשימוש ביתי בלבד ויש להשגיח עליו היטב כאשר הוא מופעל בקרבת ילדים.

השתמשו במכשיר אך ורק למטרתו המקורית כמפורט בחוברת זו ואל תבצעו בו התאמות לשימוש אחר או חיבור חלקים נלווים שאינם תואמים למכשיר.

אין להשאיר את המכשיר ללא השגחה בזמן שהוא נמצא בשימוש. המכשיר אינו מיועד להיות מופעל באמצעות קוצב זמן (טיימר) חיצוני או מערכת שליטה מרחוק נפרדת.

השתמשו במכשיר רק כאשר הוא מוצב על גבי משטח שטוח, יציב, עמיד בפני חום ורחוק מספיק מקצה המשטח כך שלא יופל בטעות.

אין להשתמש במכשיר במקום רטוב או חם מדי.

הקפידו להפעיל את המכשיר רק במקום מואר ומאוורר היטב. בהעדר פתח אוורור טבעי (חלון למשל), מומלץ להתקין קולט אדים או ונטה חשמלית.

יש לאפשר גישה נוחה לחיבור וניתוק פתיל הזינה של המכשיר (כבל החשמל) מרשת החשמל. יש להתקין את כבל החשמל באופן שלא יהווה מכשול בדרך, לא ייחשף לטמפרטורה גבוהה או לרטיבות. אסור לכופף או למתוח אותו.

מכשיר זה מיועד לרשת חשמל במתח של 220-240V 50-60Hz עם הארקה הגנה. השקע צריך לתמוך בהספק החשמל המקסימלי

של מכשיר זה כמצויין על גבי התווית המצורפת. אם התקע אינו מתאים לשקע החשמל, יש לבצע את ההתאמות הנדרשות ע"י חשמלאי מוסמך. אין להשתמש במפצלים או בכבלים מאריכים.

אין לחבר או לנתק את המכשיר משקע החשמל בידיים רטובות או עם רגליים יחפות. הקפידו על ניתוקו במשיכת תקע החשמל עצמו ולא במשיכת הכבל.

אסור להפעיל את המכשיר אם נמצאה בו תקלה כלשהי או פגיעה פיזית בגוף המכשיר, בכבל או בתקע שלו. יש למסור אותו למעבדת שירות לבדיקה.

אם פתיל הזינה (כבל החשמל) ניזוק, יש להחליפו על ידי היצרן, סוכן השירות שלו או אדם מוסמך אחר, כדי למנוע סכנת שריפה או התחשמלות.

התקנה, הפעלה ראשונית ותיקון המכשיר ייעשו אך ורק על ידי טכנאי מוסמך מטעם חברת השירות. ההתקנה כרוכה בתשלום ישירות לטכנאי. כל נזק אשר יתגלה במוצר אשר נפתח שלא על ידי טכנאי מוסמך, יהיה על אחריות הלקוח.

בורר עוצמה מכוון למצב כבוי 0 / off אינו מנתק את המכשיר מרשת החשמל, לניתוק מוחלט יש לנתק את התקע משקע החשמל.

לפני ניקוי המכשיר, העברתו ממקום למקום, או כאשר המכשיר אינו בשימוש, יש לנתק מרשת החשמל.

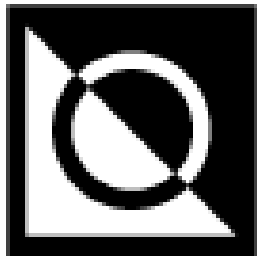
אם ניכר ריח חריג או עשן, יש להפסיק מיד את השימוש במוצר ולפנות לשירות.

לאחר הוצאת המכשיר מהארזיה, וודאו שהוא אינו פגום ופתיל הזינה במצב תקין. אם זהו אינו המצב, צרו קשר עם החנות בה רכשתם את המכשיר, לפני התקנתו.

ברכותינו על רכישת המוצר שברשותכם.  
קראו בעיון את הוראות ההפעלה כדי שתוכלו ליהנות מכל  
תכונות המכשיר.  
שמרו על חוברת זו ועל אריזת המכשיר לשימוש עתידי.  
היצרן ו/או היבואן לא יהיו אחראים לתוצאות של שימוש  
במכשיר שלא בהתאם להוראות. האיורים בחוברת  
משמשים לצורך המחשה בלבד.  
היצרן שומר לעצמו את הזכות להכניס שינויים ושיפורים  
במוצר בהתאם לצורך ולטובת המשתמש, מבלי לפגוע  
בתכונות הבטיחות וביצועי המוצר.

## תוכן עניינים

3	אזהרות בטיחות .....
4	טיפים לחסכון בחשמל .....
5	התקנה .....
6	שינוי כיוון פתיחת דלת .....
9	תאור המכשיר .....
10	לוח בקרה .....
11	אחסנת מצרכים בתא הקירור .....
12	אחסנת מצרכים בתא ההקפאה .....
13	הפשרה .....
14	ניקוי .....
15	אבחון תקלות .....



# Irshmans

**הוראות שימוש והתקנה**

**למקרר אינטגרלי**

**דגם:**

**MR 70308**

**חובה !!! לדאוג לפתחי אוורור בארון לפני ההתקנה.**

התקנה ללא פתחי אוורור בארון כמפורט בחוברת זו תגרום לנזק למקרר ומבטלת את האחריות למוצר.

ניתן להזמין טכנאי שרות ( בתשלום ) לצורך הדרכה ובדיקת האוורור בארון.



**קופר יבוא 1992 בע"מ** : יבואן רשמי

המלאכה 4 פארק אפק אזור התעשייה החדש ראש העין 48091 **טלפון: 03-9381695 פקס. 03-9381696**  
4 Hamelacha St. New Industrial Area Rosh-Haayin, code 48091 **Tel. 03-9381695 Fax. 03-9381696**